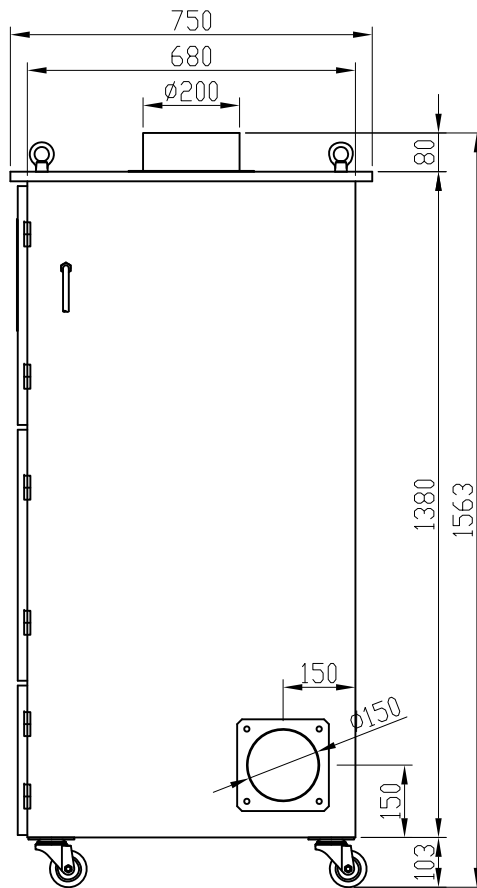
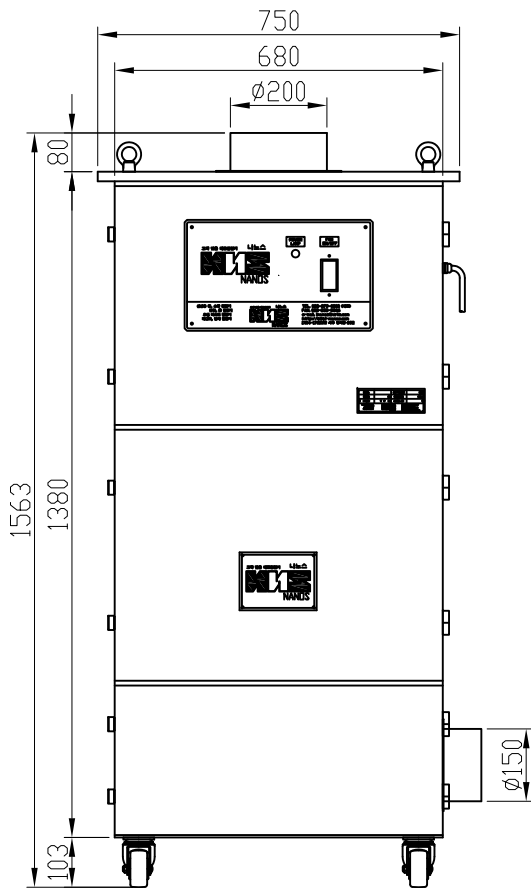
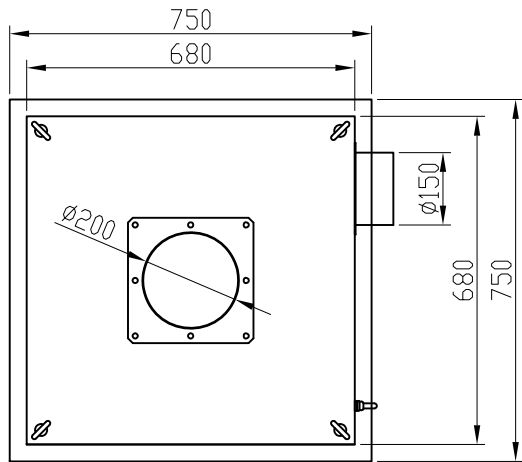


1	CABINET	1	550 x 550 x 1100 x 1.6t
2	TURBO BLOWER	1	0.75kw x 12CMM x 200mmAq
3	CARBON FILTER	1	450 x 400 x 100t
4	CFM FILTER	1	450 x 400 x 100t
5	PRE FILTER	1	450 x 400 x 20t
6	OUTLET FLANGE	1	Ø150
7	LIFT LUG	4	I-NUT M12
8	CONTROL PANEL	1	CONTROL SWITCH
9	POWER CABLE	1	V.C.T.F CABLE
10	INLET FLANGE	1	Ø125
11	CASTER	4	ROTATION 3' STOPPER

SPECIFICATION			
MODEL NAME	NOD-10	OPTION	-
FAN SPEC.			
FAN DIVISION	TURBO BLOWER		
AIR VOLUME	12 CMM	STATIC	200 mmAq
MOTOR	0.75 kw [1 HP]	POWER	380V x 3P
FILTER SPEC.			
1ST	PRE FILTER	MATERIAL	POLYESTER
	SIZE	450 x 400 x 20t	AREA
2TH	CFM FILTER	MATERIAL	GLASS
	SIZE	450 x 400 x 100t	AREA
3TH	CARBON FILTER	MATERIAL	CARBON
	SIZE	450 x 400 x 100t	AREA

*** PAINT COLOR ***
 BODY : EX8816(S) 5Y 7/1
 DOOR : EX8816-DIC546 1/2

 고객맞춤 대표 장비기 www.nanos.co.kr	SIZE	A3	CUSTOMER	-
	SCALE	1 / 1	TITLE	MINUTE DUST COLLECTOR
	DRAWN	APPROVED	NANOS DWG. NO.	NOD-10
	DATE	12.10.31		

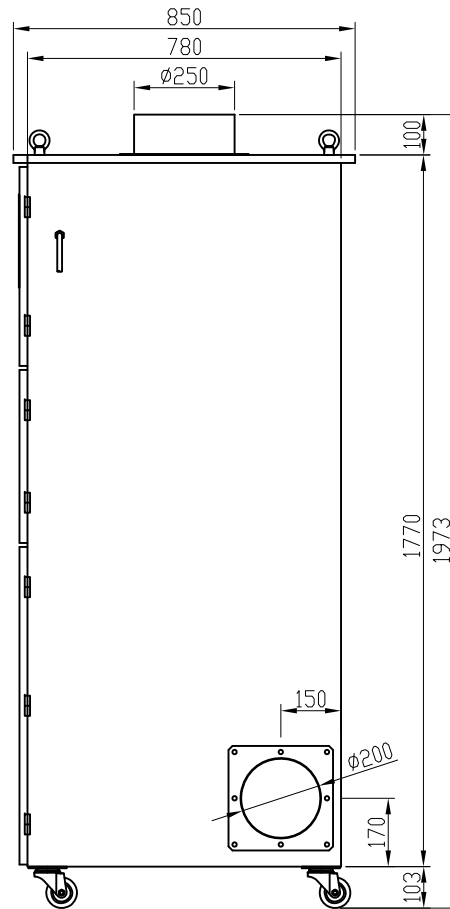
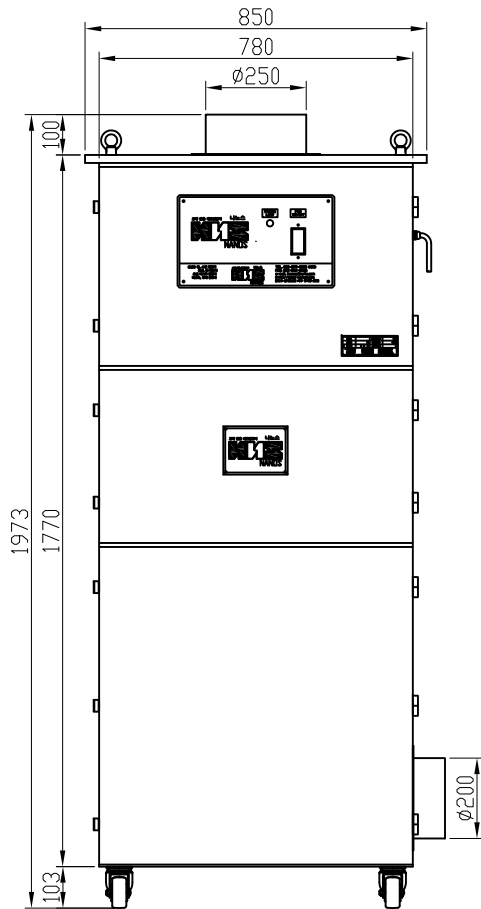
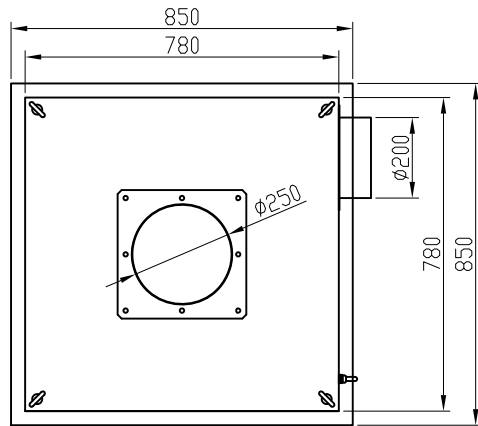


1	CABINET	1	680 x 680 x 1380 x 1.6t
2	TURBO BLOWER	1	1.5kw x 25CMM x 230mmAq
3	CARBON FILTER	1	610 x 610 x 150t
4	CFM FILTER	1	610 x 610 x 150t
5	PRE FILTER	1	610 x 610 x 20t
6	OUTLET FLANGE	1	Ø200
7	LIFT LUG	4	I-NUT M12
8	CONTROL PANEL	1	CONTROL SWITCH
9	POWER CABLE	1	V.C.T.F CABLE
10	INLET FLANGE	1	Ø150
11	CASTER	4	ROTATION 3° STOPPER

SPECIFICATION			
MODEL NAME	NOD-20	OPTION	-
FAN SPEC.			
FAN DIVISION	TURBO BLOWER		
AIR VOLUME	25 CMM	STATIC	230 mmAq
MOTOR	1.5 kw [2 HP]	POWER	380V x 3P
FILTER SPEC.			
1ST	PRE FILTER	MATERIAL	POLYESTER
	SIZE	610 x 610 x 20t	AREA
2TH	CFM FILTER	MATERIAL	GLASS
	SIZE	610 x 610 x 150t	AREA
3TH	CARBON FILTER	MATERIAL	CARBON
	SIZE	610 x 610 x 150t	AREA

*** PAINT COLOR ***
 BODY : EX8816(S) 5Y 7/1
 DOOR : EX8816-DIC546 1/2

 고객맞춤 대표 장비기 www.j-nanos.co.kr	SIZE	A3	CUSTOMER	-
	SCALE	1 / 1	TITLE	MINUTE DUST COLLECTOR
	DRAWN	APPROVED	NANOS DWG. NO.	NOD-20
	B.B.M	-		
12.10.31	-			



1	CABINET	1	680 x 680 x 1360 x 1.6t
2	TURBO BLOWER	1	1.5kw x 25CMM x 230mmAq
3	CARBON FILTER	1	700 x 700 x 200t
4	CFM FILTER	1	610 x 610 x 292t
5	PRE FILTER	1	610 x 610 x 20t
6	OUTLET FLANGE	1	Ø200
7	LIFT LUG	4	I-NUT M12
8	CONTROL PANEL	1	CONTROL SWITCH
9	POWER CABLE	1	V.C.T.F CABLE
10	INLET FLANGE	1	Ø150
11	CASTER	4	ROTATION 3" STOPPER

*** CHECK POINTS ***

A. 3차 CARBON FILTER BOX 제작 할것

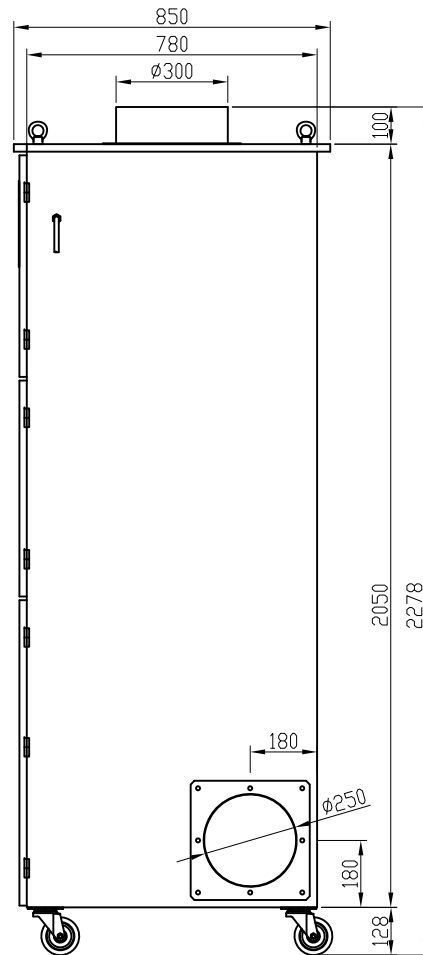
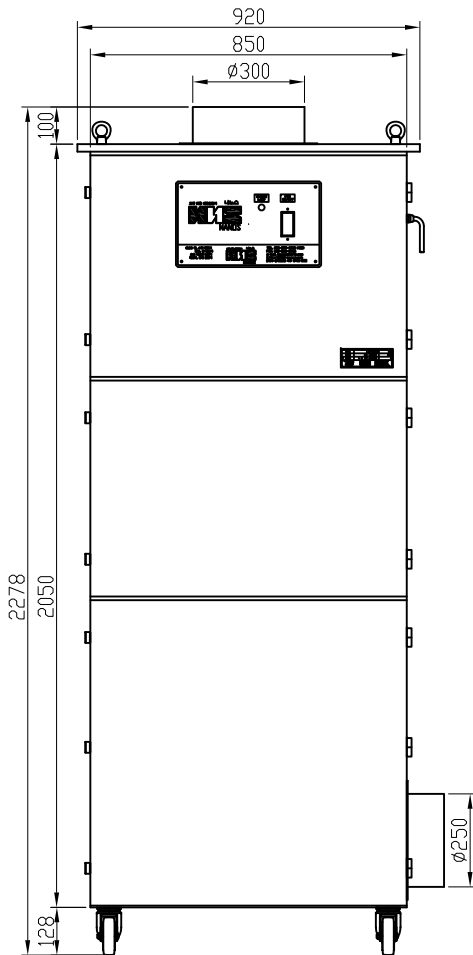
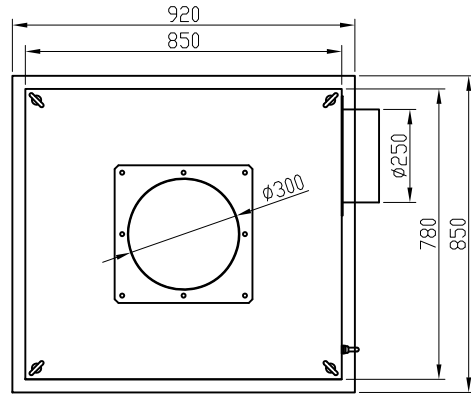
SPECIFICATION			
MODEL NAME	NOD-30	OPTION	-
FAN SPEC.			
FAN DIVISION	TURBO BLOWER		
AIR VOLUME	40 CMM	STATIC	230 mmAq
MOTOR	2.2 kw [3 HP]	POWER	380V x 3P
FILTER SPEC.			
1ST	PRE FILTER	MATERIAL	POLYESTER
	SIZE	610 x 610 x 20t	AREA
2TH	CFM FILTER	MATERIAL	GLASS
	SIZE	610 x 610 x 292t	AREA
3TH	CARBON FILTER	MATERIAL	CARBON
	SIZE	700 x 700 x 200t	AREA

*** PAINT COLOR ***

BODY : EX8816(S) 5Y 7/1

DOOR : EX8816-DIC546 1/2

 고객맞춤 대표 장비기 www.nanos.co.kr	SIZE	A3	CUSTOMER	-
	SCALE	1 / 1	TITLE	MINUTE DUST COLLECTOR
	DRAWN	APPROVED	NANOS DWG. NO.	NOD-20
	B.B.M	-		
12.10.31	-			



1	CABINET	1	850 x 780 x 2050 x 1.6t
2	TURBO BLOWER	1	3.7kw x 60CMM x 230mmAq
3	CARBON FILTER	2	700 x 500 x 150t
4	CFM FILTER	1	610 x 610 x 292t
5	PRE FILTER	1	610 x 610 x 20t
6	OUTLET FLANGE	1	φ300
7	LIFT LUG	4	I-NUT M12
8	CONTROL PANEL	1	CONTROL SWITCH
9	POWER CABLE	1	V.C.T.F CABLE
10	INLET FLANGE	1	φ250
11	CASTER	4	ROTATION 4' STOPPER

*** CHECK POINTS ***

A. 3차 CARBON FILTER BOX 제작 할것

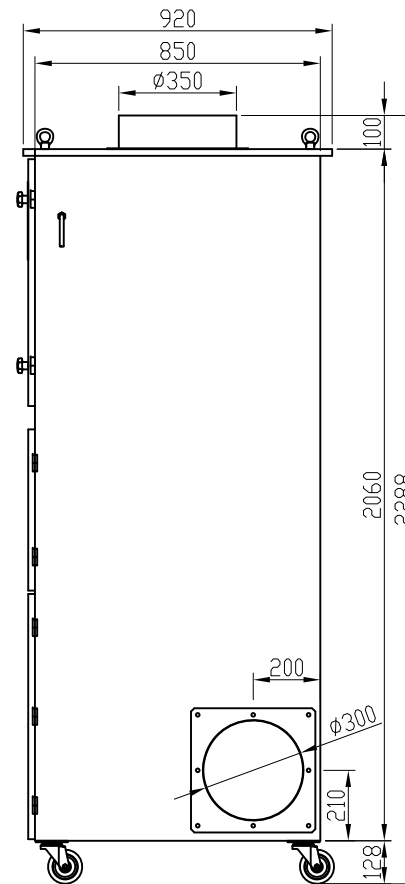
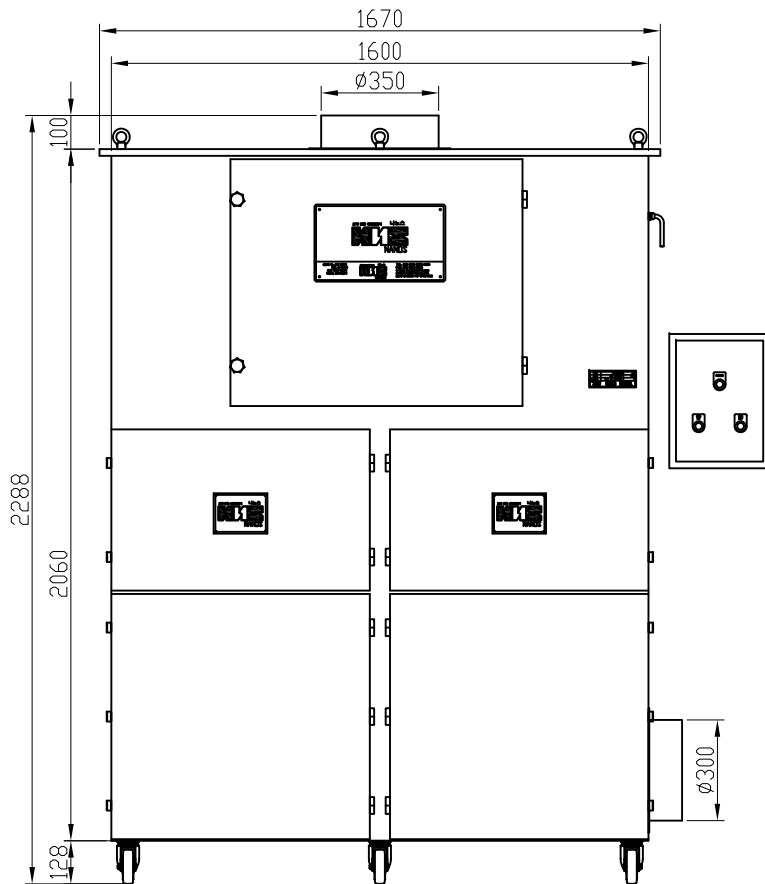
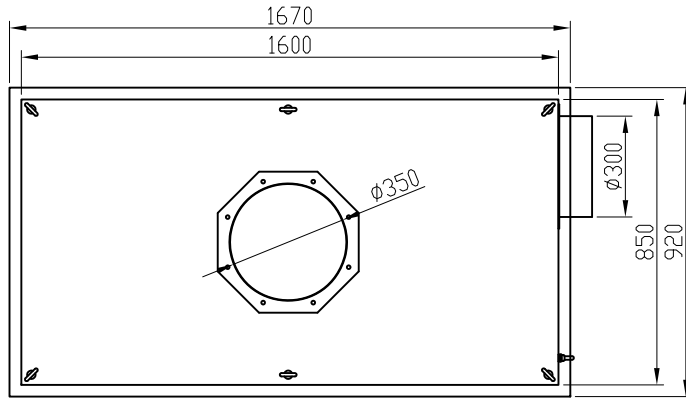
SPECIFICATION				
MODEL NAME	NOD-50	OPTION	-	
FAN SPEC.				
FAN DIVISION	TURBO BLOWER			
AIR VOLUME	60 CMM	STATIC	230 mmAq	
MOTOR	3.7 kw [5 HP]	POWER	380V x 3P	
FILTER SPEC.				
1ST	PRE FILTER		MATERIAL	POLYESTER
	SIZE	610 x 610 x 20t	AREA	-
2TH	CFM FILTER		MATERIAL	GLASS
	SIZE	610 x 610 x 292t	AREA	-
3TH	CARBON FILTER		MATERIAL	CARBON
	SIZE	700 x 500 x 150t x 2EA	AREA	55 Kg

*** PAINT COLOR ***

BODY : EX8816(S) 5Y 7/1

DOOR : EX8816-DIC546 1/2

 고객맞춤 대표 장비기 www.nanos.co.kr	SIZE	A3	CUSTOMER	-
	SCALE	1 / 1	TITLE	MINUTE DUST COLLECTOR
	DRAWN	APPROVED	NANOS DWG. NO.	NOD-50
	B.B.M	-		
12.10.31	-			



1	CABINET	1	1600 x 850 x 2060 x 1.6t
2	TURBO BLOWER	1	5.5kw x 80CMM x 230mmAq
3	CARBON FILTER	4	700 x 400 x 150t
4	CFM FILTER	2	610 x 610 x 150t
5	PRE FILTER	2	610 x 610 x 20t
6	OUTLET FLANGE	1	Ø350
7	LIFT LUG	6	I-NUT M12
8	CONTROL PANEL	1	CONTROL SWITCH
9	POWER CABLE	1	V.C.T.F CABLE
10	INLET FLANGE	1	Ø300
11	CASTER	6	ROTATION 4' STOPPER

*** CHECK POINTS ***

A. 3차 CARBON FILTER BOX 제작 할것

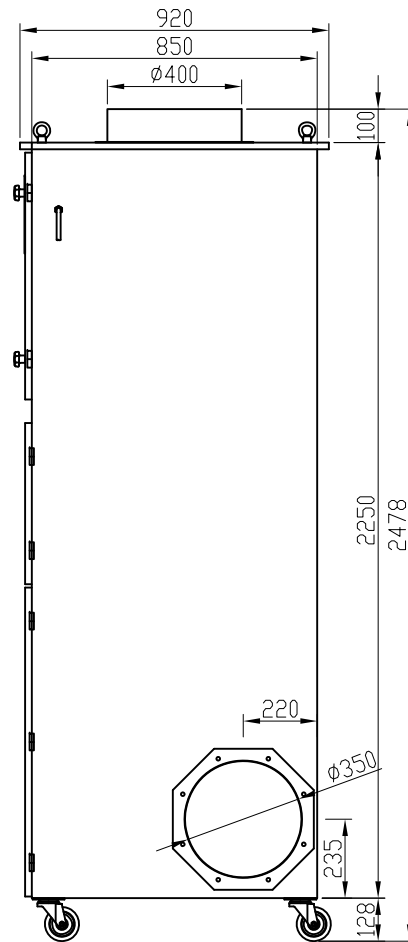
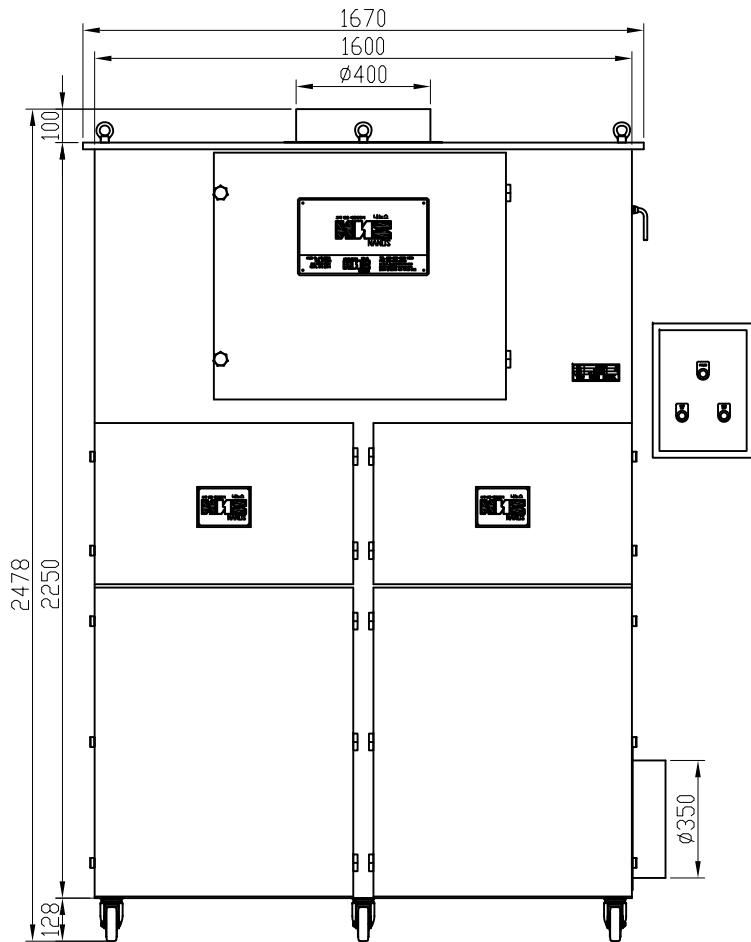
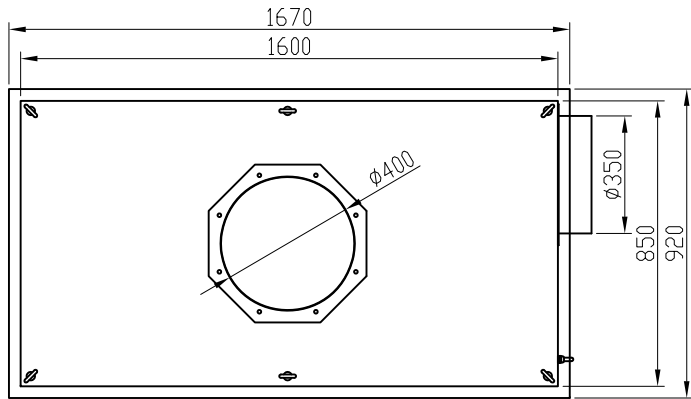
SPECIFICATION			
MODEL NAME	NOD-75	OPTION	-
FAN SPEC.			
FAN DIVISION	TURBO BLOWER		
AIR VOLUME	80 CMM	STATIC	250 mmAq
MOTOR	5.5 kw [7.5 HP]	POWER	380V x 3P
FILTER SPEC.			
1ST	PRE FILTER	MATERIAL	POLYESTER
	SIZE	610 x 610 x 20t x 2EA	AREA
2TH	CFM FILTER	MATERIAL	GLASS
	SIZE	610 x 610 x 150t x 2EA	AREA
3TH	CARBON FILTER	MATERIAL	CARBON
	SIZE	700 x 400 x 150t x 4EA	AREA

*** PAINT COLOR ***

BODY : EX8816(S) 5Y 7/1

DOOR : EX8816-DIC546 1/2

 고객맞춤 대표 장비기 www.j-nanos.co.kr	SIZE	A3	CUSTOMER	-
	SCALE	1 / 1	TITLE	MINUTE DUST COLLECTOR
	DRAWN	APPROVED	NANOS DWG. NO.	NOD-75
	B.B.M	-		
12.10.31	-			



1	CABINET	1	1600 x 850 x 2250 x 1.6t
2	TURBO BLOWER	1	7.5kw x 100CMM x 250mmAq
3	CARBON FILTER	4	700 x 400 x 150t
4	CFM FILTER	2	610 x 610 x 292t
5	PRE FILTER	2	610 x 610 x 20t
6	OUTLET FLANGE	1	φ400
7	LIFT LUG	6	I-NUT M12
8	CONTROL PANEL	1	CONTROL SWITCH
9	POWER CABLE	1	V.C.T.F CABLE
10	INLET FLANGE	1	φ350
11	CASTER	6	ROTATION 4' STOPPER

*** CHECK POINTS ***

A. 3차 CARBON FILTER BOX 제작 할것

SPECIFICATION			
MODEL NAME	NOD-100	OPTION	-
FAN SPEC.			
FAN DIVISION	TURBO BLOWER		
AIR VOLUME	100 CMM	STATIC	250 mmAq
MOTOR	7.5 kw [10 HP]	POWER	380V x 3P
FILTER SPEC.			
1ST	PRE FILTER	MATERIAL	POLYESTER
	SIZE	610 x 610 x 20t x 2EA	AREA
2TH	CFM FILTER	MATERIAL	GLASS
	SIZE	610 x 610 x 292t x 2EA	AREA
3TH	CARBON FILTER	MATERIAL	CARBON
	SIZE	700 x 400 x 150t x 4EA	AREA

*** PAINT COLOR ***

BODY : EX8816(S) 5Y 7/1

DOOR : EX8816-DIC546 1/2

 고객맞춤 대표 장비기 www.nanos.co.kr	SIZE	A3	CUSTOMER	-
	SCALE	1 / 1	TITLE	MINUTE DUST COLLECTOR
	DRAWN	APPROVED	NANOS	DWG. NO.
	B.B.H	-	NANOS	DWG. NO.
12.10.31	-	NOD-100		